

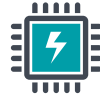
# KS156P-TGU



15.6" Industrial Touch Panel PC



## KEY FEATURES



### CPU Performance

Intel® Core™ i5-1145GRE, Quad Core  
Intel® Celeron® 6305E, Dual Core



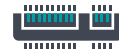
### Touch Type

Projected Capacitive Touch



### Dual Display

HDMI + DP++



### Multiple Expansions

M.2 2242/2280 M Key  
M.2 2242/3042/3052 B Key  
M.2 2230 E Key



### Wide Voltage

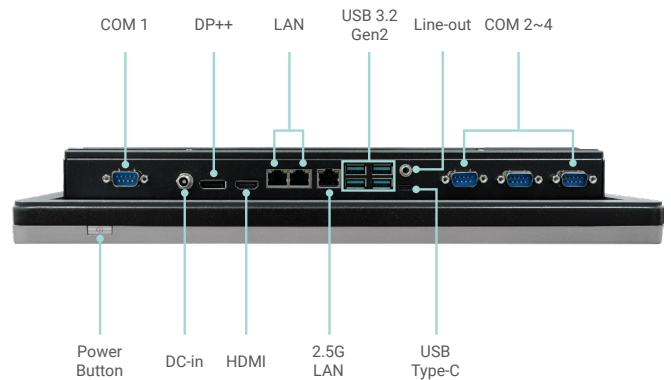
Support 9 ~ 36V



## PANEL

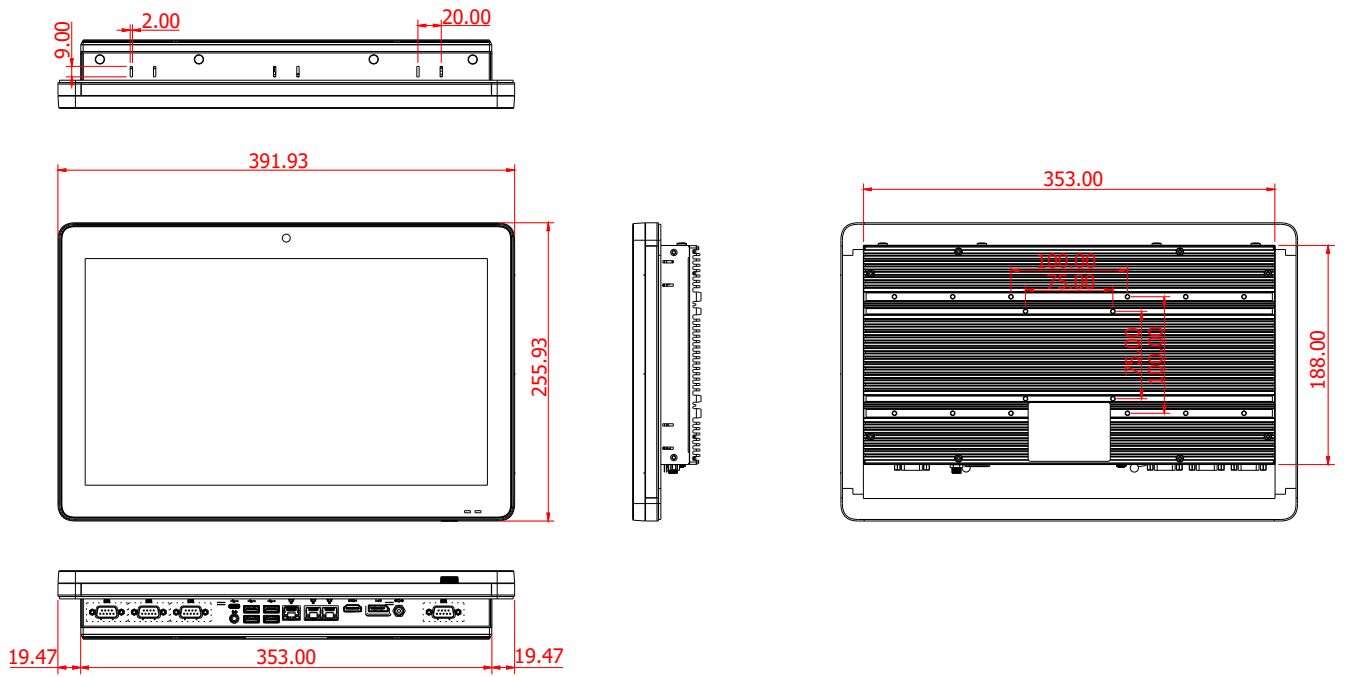


Top View

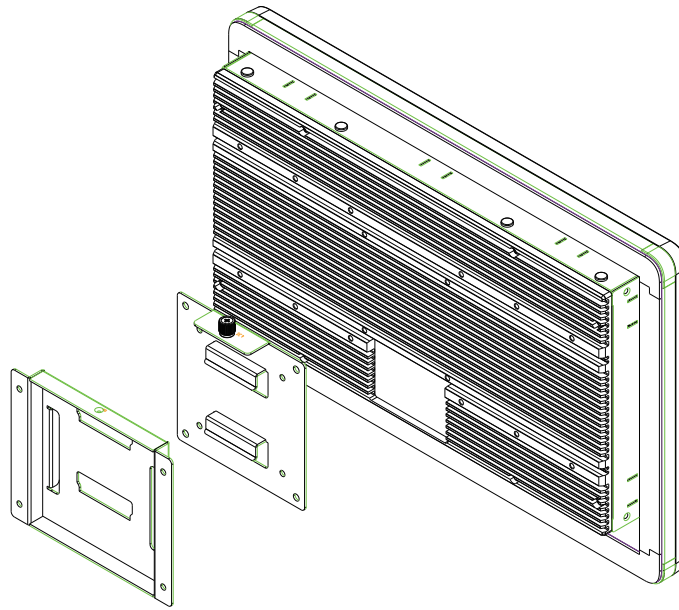


Bottom View

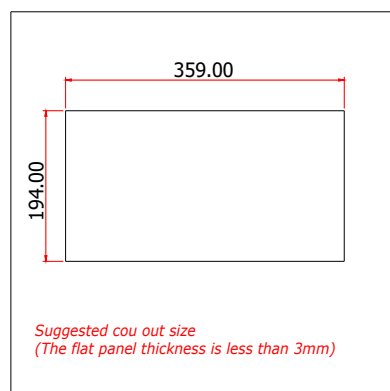
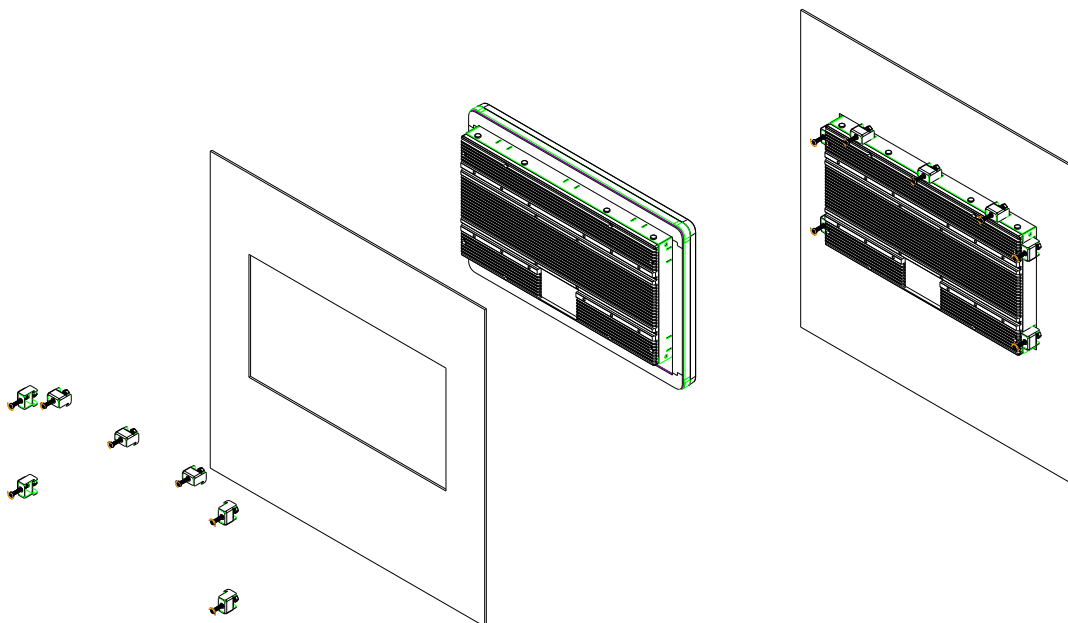
# DIMENSIONS



## VESA MOUNTING



## PANEL MOUNTING



## SPECIFICATION

DISPLAY AND TOUCH SCREEN	Display	15.6" TFT LCD Panel	
	Contrast	16 : 9	
	Max. Resolution	1920 x 1080	
	Touch Type	Projected Capacitive	
	Brightness	400 (cd/m2)	
	Backlight Lifetime	50,000 (hours)	
SYSTEM	Processor	Intel® Core™ i5-1145GRE, Quad Core, 8M Cache, 1.5GHz (4.1GHz), 15W Intel® Celeron® 6305E, Dual Core, 4M Cache, 1.8GHz (1.8GHz), 15W	
	Memory	Two 260-pin SODIMM up to 64GB (32GB per slot) Dual channel DDR4 up to 3200MHz	
	BIOS	AMI SPI 256Mbit	
GRAPHICS	Controller	Intel® Iris® Xe Graphics for i7/i5 Processors Intel® UHD Graphics for i3/Celeron Processors	
	Feature	OpenGL 4.5, DirectX 12, OpenCL 2.1 HW Decode: WMV9, AVC/H264, JPEG/MJPEG, HEVC/H265, VP9, AV1 HW Encode: AVC/H264, JPEG, HEVC/H265, VP9	
	Display	1 x DP++ 1 x HDMI 2.0	DP++: resolution up to 3840x2160 @ 60Hz HDMI: resolution up to 3840x2160 @ 24Hz
	Dual Displays	DP++ + HDMI	
STORAGE	External	1 x 2.5" SATA 3.0 Drive Bay	
EXPANSION	Interface	1 x M.2 2242/2280 M Key (PCIe Gen4 x4) 1 x M.2 2242/3042/3052 B Key (PCIe Gen3 x1/SATA/USB 3.1 Gen1) 1 x M.2 2230 E Key (USB2.0)	
I/O	Ethernet	2 x GbE 1 x 2.5GbE	
	Serial	2 x RS-232/422/485 2 x RS-232	
	USB	4 x USB 3.1 Gen2 1 x USB Type-C (Support USB 3.1 Gen2, 15W power delivery and DP Alt mode)	
	Display	1 x DP++ 1 x HDMI	
	Audio	1 x line-out	
	Button	1 x Power Button	
POWER	Type	DC 9-36V	
	Connector	DC Jack	
OS SUPPORT	Microsoft	Windows 10 IoT Enterprise 64bit	
	Linux	Linux	
MECHANISM	Construction	Plastic + Sheet Metal	
	Mounting	VESA mount 100 x 100	
	IP Rating	IP65 Front Panel Protection without power button	
	Dimensions(W x H x D)	392 x 256 x 58.7 mm	
	Weight	TBD	
ENVIRONMENT	Operating Temperature	0 ~ 50°C	
	Storage Temperature	-30 ~ 80°C	
	Relative Humidity	10 to 95% @ 40°C, non-condensing	
STANDARDS AND CERTIFICATION	Shock	OP: Half-sine, 3G @ 11ms Non-OP: Half-sine, 5G @ 11ms	
	Vibration	OP: Random, 1Grms @ 5~500Hz, 30min Non-OP: Sweep sine, 3Grms @ 10~500Hz, 30min	
	Certifications	CE/FCC Class A	

## ORDERING INFORMATION

Model Name	Part Number	Description
KS156P-TGUW36-45G	750-KS156P3-000G	KS156P-TGUW36: 15.6" TFT WXGA Fan-less Panel PC with Projected Capacitive Touch, Intel® Core i5-1145GRE, DC Input 9-36V DC jack, F/G SYSTEM RoHS
KS156P-TGUW36-05E	750-KS156P3-100G	KS156P-TGUW36: 15.6" TFT WXGA Fan-less Panel PC with Projected Capacitive Touch, Intel® Celeron 6305E, DC Input 9-36V DC jack, F/G SYSTEM RoHS

## PACKING LIST

1 KS156P-TGU Touch Panel PC
1 Poron foam
1 Quick Installation Guide